

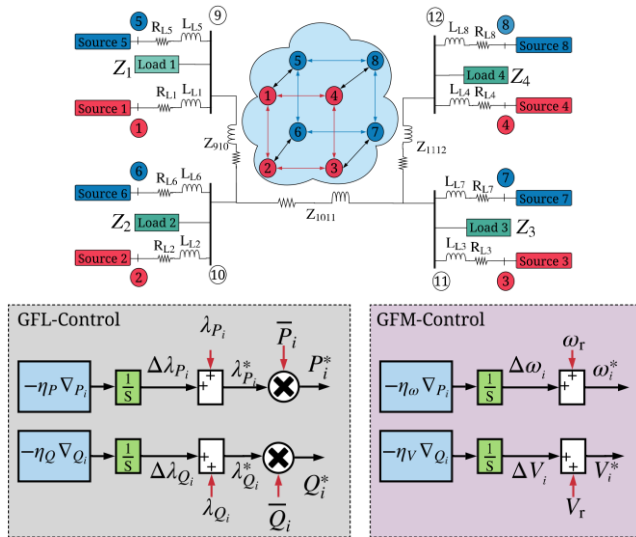
Smart Grid Control and Resilience

Junjian Qi, Department of Electrical and Computer Engineering



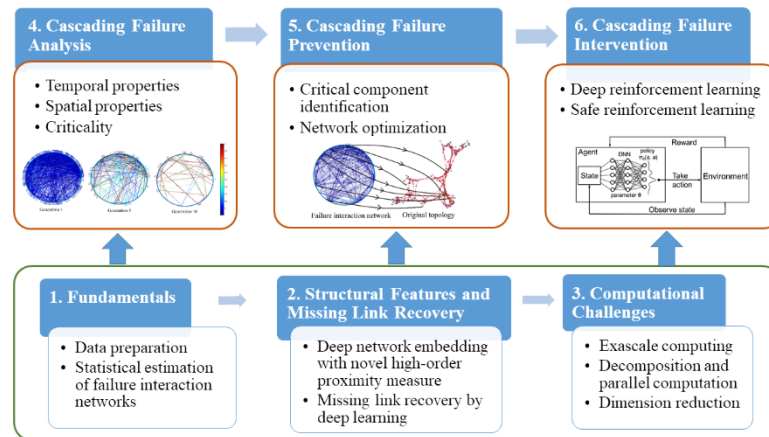
Distributed Control of the Smart Inverters in Islanded AC/DC Microgrids

DOE and Cyber Florida



Data-Driven, Deep Learning Based Cascading Failure Analysis, Prevention, and Mitigation

NSF CAREER – EPCN



Cybersecurity for Large-Scale Deployment of Distributed Energy Resources

DOE and Cyber Florida

